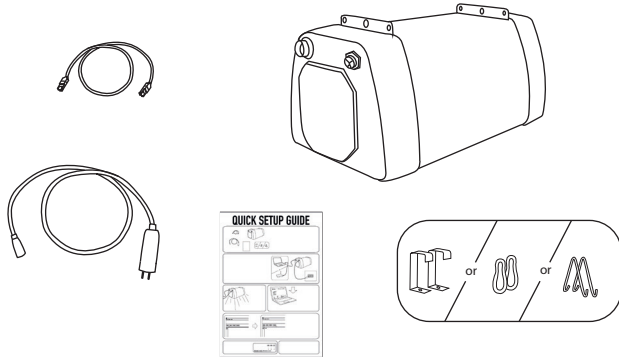


QUICK SETUP GUIDE



Make sure that you have received the following contents:

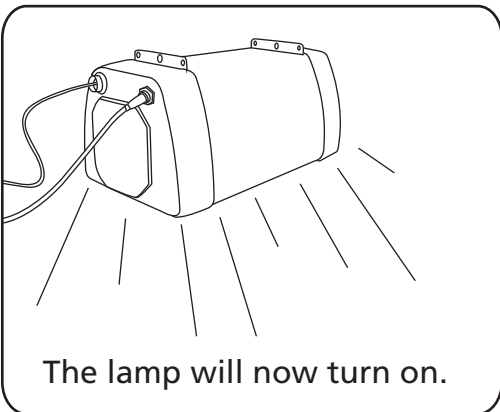
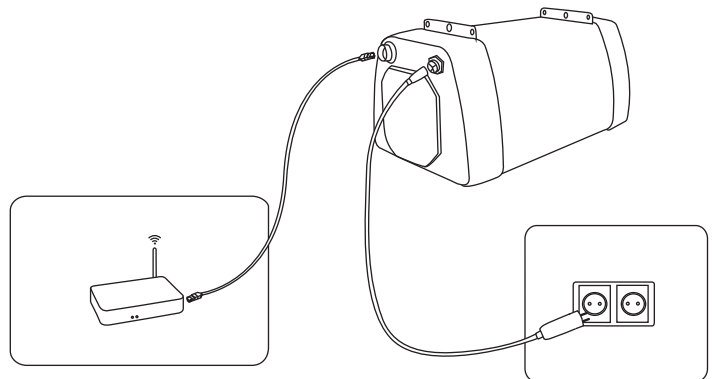
- Heliospectra light system
- Ethernet cable
- Power cable
- Quick Setup Guide

Chosen hanging attachments*

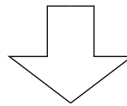
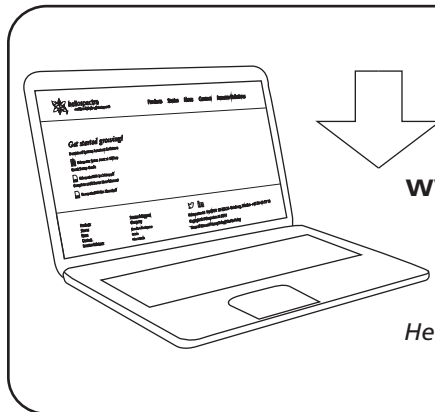
**if not otherwise specified, the v-hangers will be included*

Then mount the lamp using the hangers.

Plug in the power cable to a power outlet socket and the Ethernet cable to a router.



The lamp will now turn on.

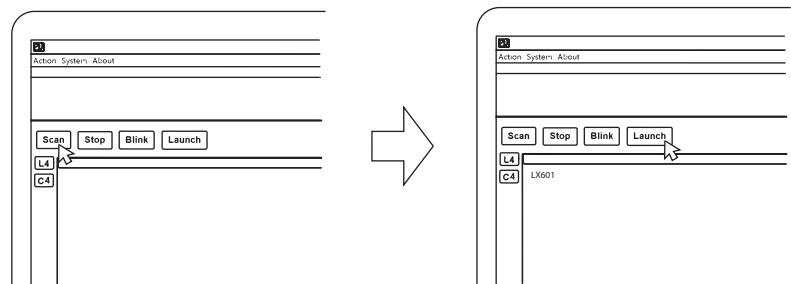


Go to www.heliospectra.com/getstarted to download and install the **System Assistant** software.

Here you can also find more detailed manuals, FAQs, support contact etc.

First make sure that your computer and router are on the same network.

Once the **System Assistant** is installed, start the program and click **Scan**. When the lamp has been found, click the **Launch** button.



The Web User Interface will now open in a web browser. Click the **Operation** tab and tick the **Real time update** box.

Real time update Lock ratio

Congratulations!

You can now create your own light recipes, set schedules and adjust intensities as you wish.